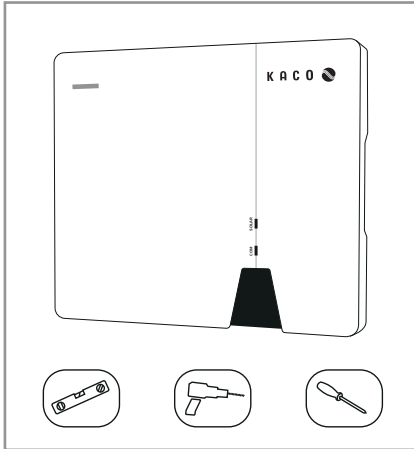


Pocket Guide

blueplanet NX3 series



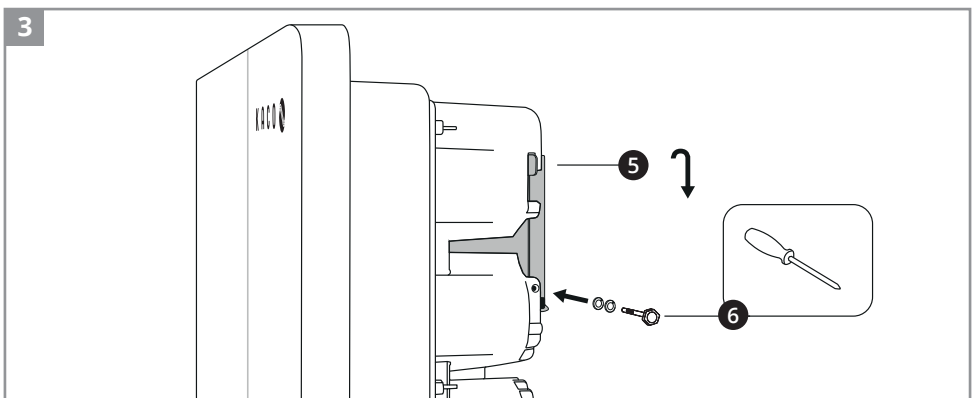
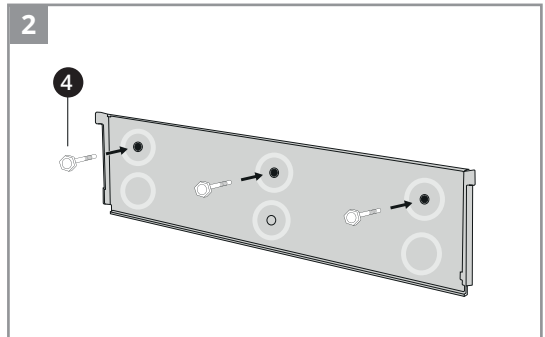
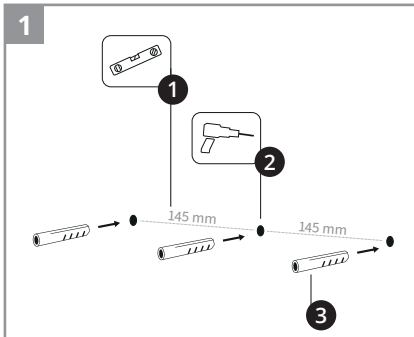


! Safety notice

The inverters may only be installed by trained and authorized specialists. It is absolutely necessary to read the Operating and Installation instructions.

Manuals can be downloaded from our website at <https://kaco-newenergy.com>. The warnings and safety instructions which are provided in the manuals must be complied with entirely.

Installation

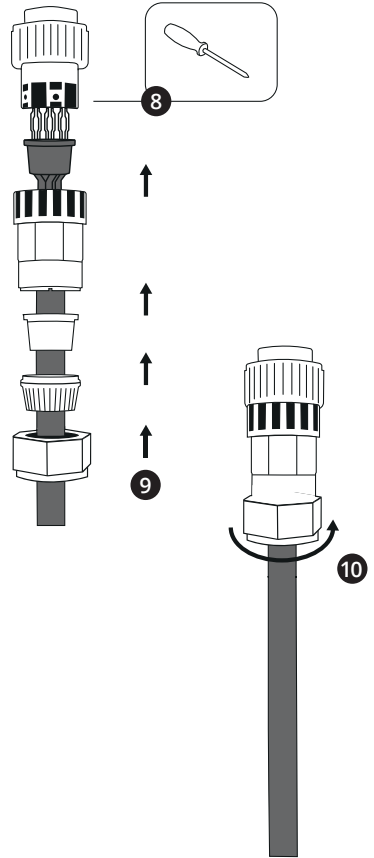




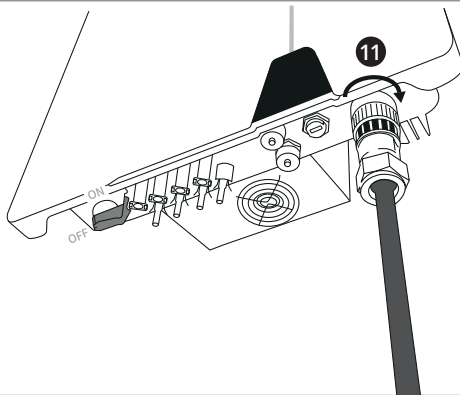
4



5

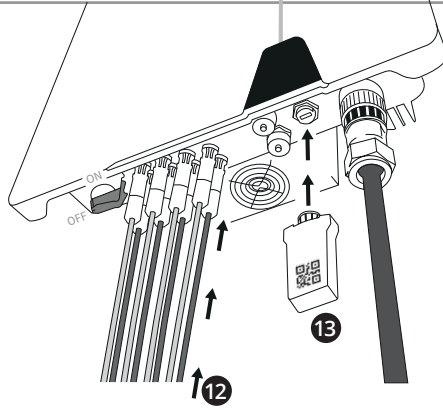


6

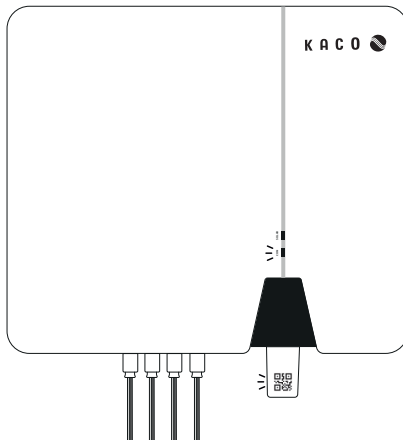
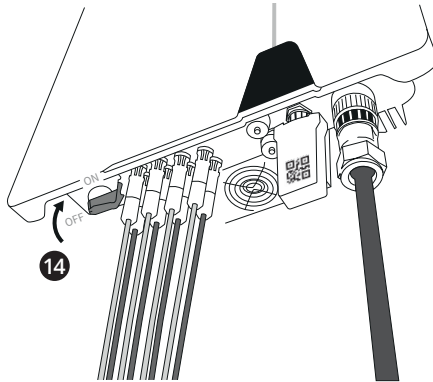




7



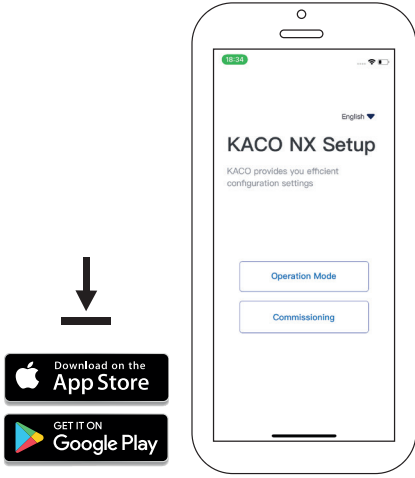
8



Commissioning



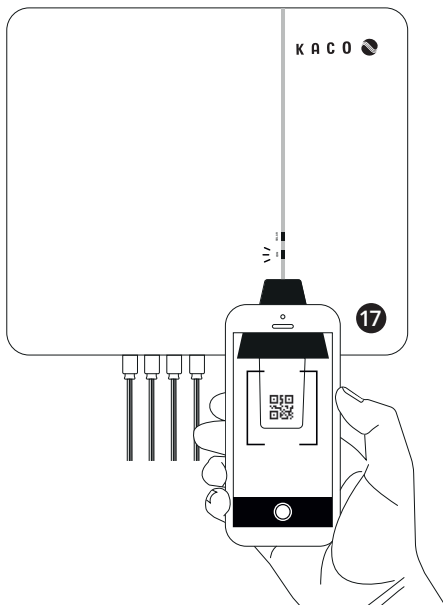
9



10

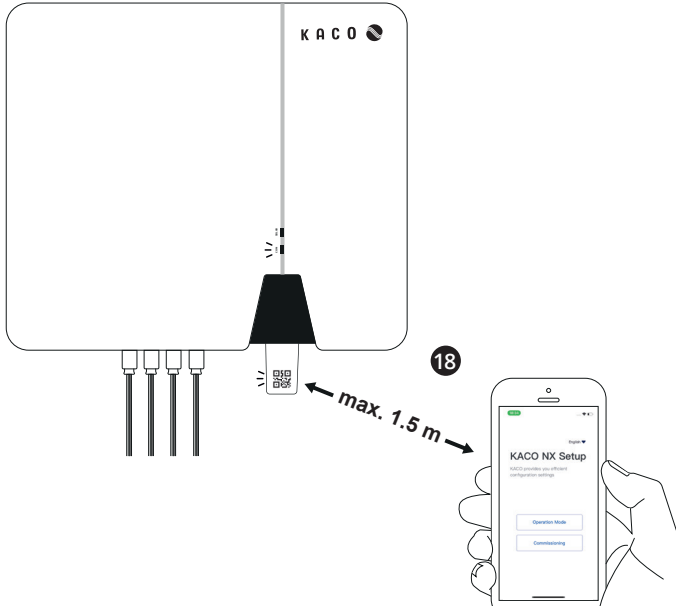


11

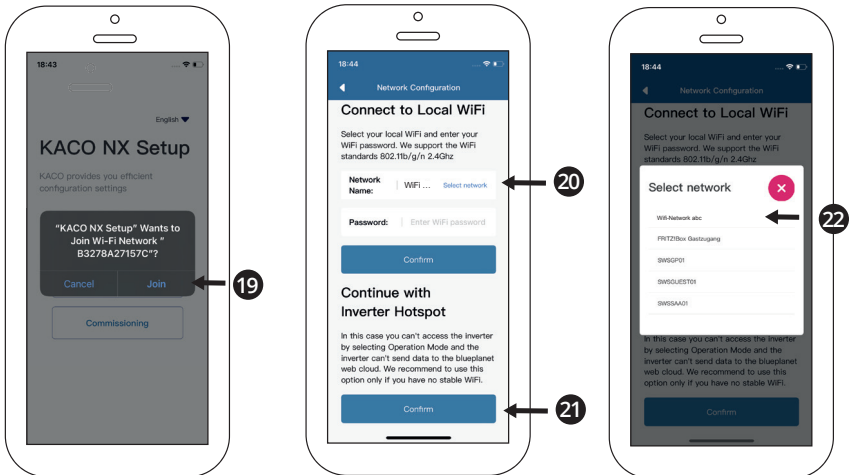




12



13

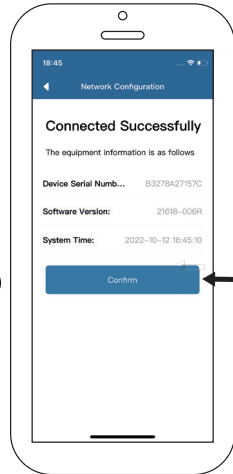
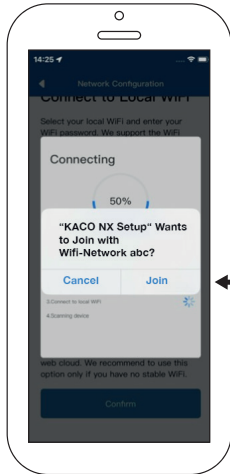
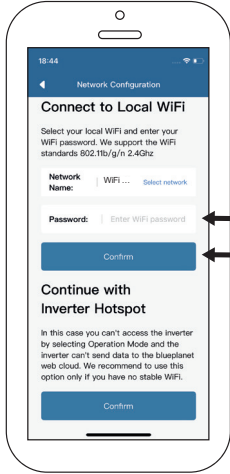


20 Recommended option, stable local WiFi is required.

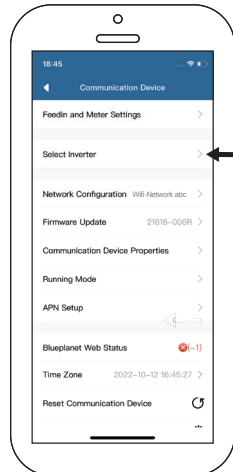
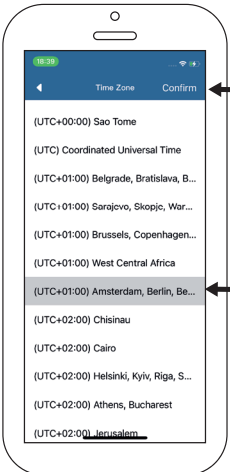
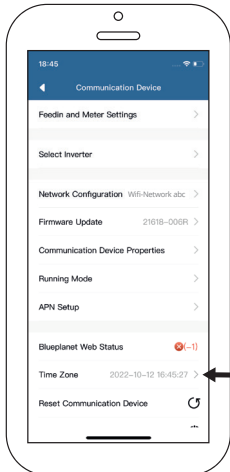
21 Alternative option if there is no local WiFi available. After clicking „confirm“ you can continue with step 27



14

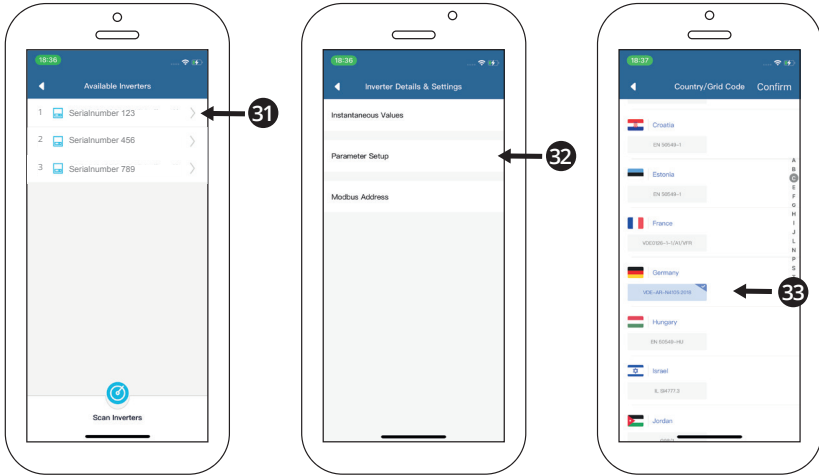


15



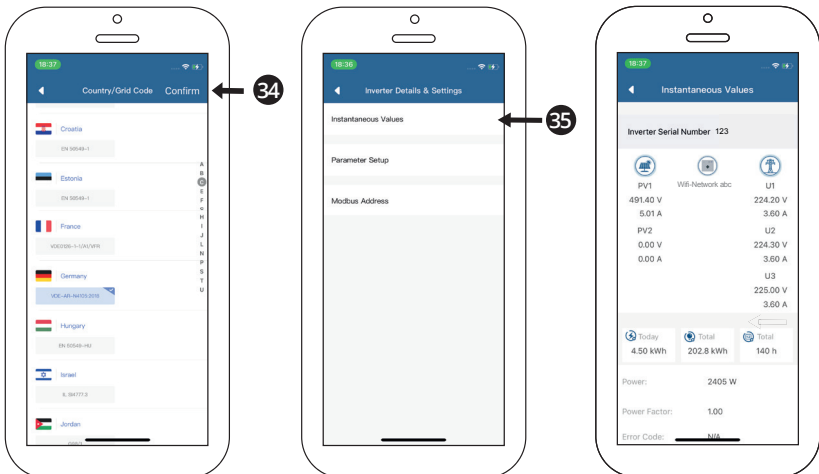


16



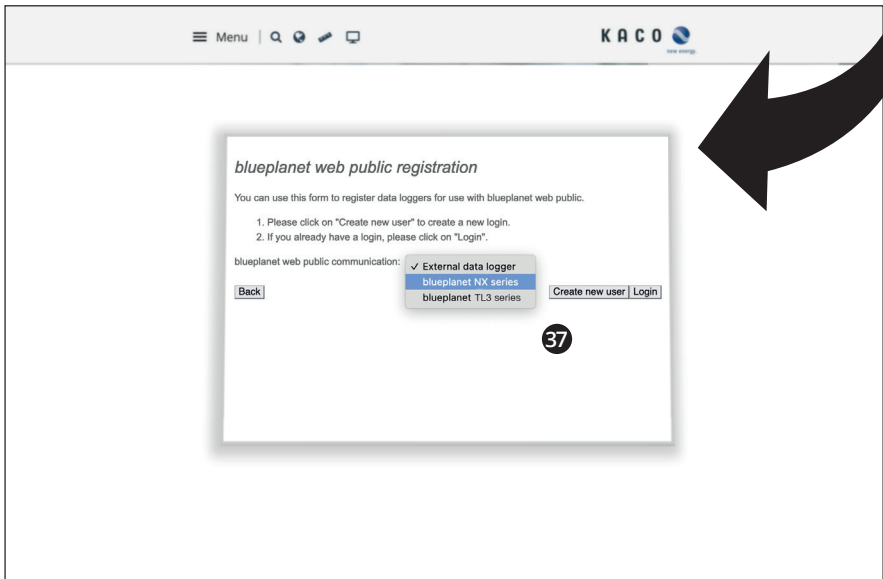
17

Check if your inverter feeds in.





18





19

Menu | Search | Help | Contact | KACO new energy

blueplanet web public registration

You can use this form to register data loggers for use with blueplanet web public.

1. Please click on "Create new user" to create a new login.
2. If you already have a login, please click on "Login".

blueplanet web public communication:

[Back](#) [Create new user](#) [Login](#)

38

Menu | Search | Help | Contact | KACO new energy

Change language

KACO

blueplanet web public registration

▼ Data logger

Inverter serial number(s)*:

* Please enter the serial number of the inverter(s). Up to 5 inverters can be registered in this registration process.

[Continue](#)

▼ User data

▼ System

I have read the [General Terms and Conditions](#) and the [Data privacy statement](#) and accept them.

[Submit information](#)

39



20

Menu | Search | Help | Settings | Logout

KACO new energy

Change language

KACO

blueplanet web public registration

Data logger

Inverter serial number(s)*:

* Please enter the serial number of the inverter here. Up to 5 inverters can be registered in this registration process.

Continue

User data

System

I have read the [General Terms and Conditions](#) and the [Data privacy statement](#) and accept them.

Submit information

40

Menu | Search | Help | Settings | Logout

KACO new energy

Change language

KACO

blueplanet web public registration

Data logger

User data

Registration

E-mail*:

Password:

Repeat password:

* Note: Your e-mail address is also your user name.

Back

Continue

System

I have read the [General Terms and Conditions](#) and the [Data privacy statement](#) and accept them.

Submit information

41



21

Menu | Search | Settings | Logout

KACO new energy

Change language

KACO

blueplanet web public registration

Data logger

User data

Registration

E-mail*:

Password:

Repeat password:

* Note: Your e-mail address is also your user name.

System

I have read the [General Terms and Conditions](#) and the [Data privacy statement](#) and accept them.

42

Menu | Search | Settings | Logout

KACO new energy

System

System name*:

Installed power:

System description*:

Site data

Map: On Off

Centre card on marker

Longitude:

Latitude:

Adresse (optional):

I have read the [General Terms and Conditions](#) and the [Data privacy statement](#) and accept them.

43




Menu | Search | Settings | Logout | KACO see energy

System

System name: ✓
Installed power: help ✓
System description*:

Site data

Map: Map Satellite



Longitude: ✓
Latitude: ✓
Address (optional):

I have read the General Terms and Conditions and the Data privacy statement and accept them.

44

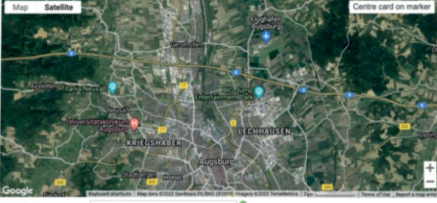
Menu | Search | Settings | Logout | KACO see energy

System

System name: ✓
Installed power: help ✓
System description*:

Site data

Map: Map Satellite



Longitude: ✓
Latitude: ✓
Address (optional):

I have read the General Terms and Conditions and the Data privacy statement and accept them.

45



Menu | Search | Settings | Logout

KACO new energy

blueplanet web

pro or public - that is the question



Find the right PV monitoring portal for you

blueplanet web pro

Our professional monitoring portal offers you detailed and clear system monitoring in a customizable environment. This helps you to minutely track the performance of your PV plant, to react quickly to abnormalities and to secure your investment.

[LOGIN BLUEPLANET WEB PRO](#)

[Learn more about blueplanet web pro >>](#)

[View demo plant >>](#)

Registration: Save the following PDF and send the completed form to web-registration@kaco-newenergy.de
[Download Registration>>](#)

blueplanet web public

blueplanet web public is our online portal for the free monitoring of PV plants up to 100 kWp for newly registered users from December 1, 2018. It gives you concise information about the performance of your system any time from anywhere via the Internet.

[LOGIN BLUEPLANET WEB PUBLIC](#)

[Learn more about blueplanet web public >>](#)

[View demo plant >>](#)

[Register your PV plant in blueplanet web public free of charge >>](#)

46

