

## SAFE, POWERFUL, COMPACT. MYRESERVE PACK 24.3

- Powerful lithium-ion battery module for integration in MyReserve battery system
- Depth of Discharge is 100%
- Unique battery efficiency of 99.2%
- Long service life > 15 years
- Plug & play installation with contact-protected and polarity-reversal-protected connecting plugs
- One-person installation possible (only 25 kg)
- Certified safety with multi-stage safety controls
- Integrated battery management system with VTC supervisor
- Individual cell monitoring
- Dynamic Charge Estimator - dynamic adjustment of the charge current of the battery based on the current PV output and the household's internal consumption
- Maintenance-free
- No memory effect



### SMART PERFORMANCE CALCULATION:

- Calculation of the internal resistance per cell
- Determination of charging and discharging parameters in consideration of the internal resistance
- Calculation of SoC and SoH

### SOLARWATT Service



**FullCoverage**  
included if part of a complete  
MyReserve Matrix-System\*



**Professional consultation**  
Experts via Hotline or on location



**Warranty**  
min. 80 % Capacity



**Guarantee of origin**  
Quality Made in Germany



**Simple returns policy**  
as per electrical and electronic  
equipment legislation

\* FullCoverage insurance is available only in selected countries and provided an inverter is used from the list of "Approved Inverters for MyReserve"

## Technical Data | MyReserve Pack 24.3

### GENERAL SPECIFICATIONS

|                          |  |
|--------------------------|--|
| Model name               | MyReserve Pack 24.3  |
| Rated capacity           | 2,4 kWh  |
| Depth of Discharge (DoD) | 100 %  |
| Cell technology          | Li-ion   |
| Cell separator           | Ceramic coating  |
| BMS                      | VTC Supervisor <sup>1)</sup>   |
| Maximum efficiency       | 99.2%  |
| Weight                   | 25Kg   |
| Dimensions (W x H x D)   | 384mm X 200.5mm X 277mm (Depth: 260mm without fastening points)  |
| Housing                  | Aluminum   |
| Communication            | iso SPI  |
| Power connections        | Power plug with integrated communication (contact-protection and polarity-reversal protection) <sup>2)</sup> |
| Battery fuse             | Integrated   |
| Warranty <sup>3)</sup>   | 10 years (min. 80 % capacity)  |
| Cycle service life       | unlimited number of full cycles during the warranty period   |

### ENVIRONMENTAL AND AMBIENT CONDITIONS

|   |   |
|---|---|
| Permissible environmental operating temp. | 0°C to 30°C (max. 45°C) <sup>4)</sup>                                 |
| Permissible storage temperature           | -20°C to 30°C   |
| Permissible transport temperature         | -20°C to 55°C   |
| Relative air humidity                     | ≤ 85% non-condensing  |
| Protection rating                         | IP54 (with protective cover on the power plug outlet, otherwise IP20) |
| Installation location                     | Up to 2000m above sea level   |

- 1) Continuous monitoring of all cell voltages, cell temperatures, and current. Shut-off of the system when parameter limits are exceeded.
- 2) The battery poles are voltage-free when the battery is removed
- 3) The corresponding warranty conditions apply
- 4) MyReserve does not operate at temperatures below -15°C or above +45°C. Unrestricted performance is provided for the household in the temperature range of 0°C to 30°C. Accelerated aging of the cells should be taken into account at temperatures above +45°C.

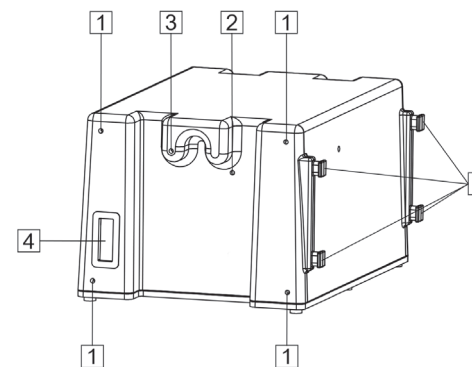
### SUPPORTED DEVICES

|                |  |
|----------------|--|
| Battery system | MyReserve 500, MyReserve 800, MyReserve Command 20.2 |
|----------------|--|

### CERTIFICATIONS AND STANDARDS

|   |   |
|---|---|
| tested by accredited testing laboratories acc. to | UN38.3<br>As a part of MyReserve:<br>Safety Guidelines for Li-ion household battery system Version 1.0<br>E DIN EN 62619:2014 (VDE 0510-39)<br>DIN EN 50272-1:2011 (VDE 0510-1)<br>DIN EN 61010-1:2011 (VDE 0411-1)<br>DIN EN 61000-6-1:2007 (VDE 0839-6-1)<br>DIN EN 61000-6-3:2011 (VDE 0839-6-3) |
| Conformity to                                     | EU-Directives (CE): 2014/35/EU (LVD)<br>2014/30/EU (EMC)<br>2011/65/EU (RoHS)   |
| Cells (among others) tested acc. to:              | UN38.3<br>Automotive-Standards (EUCAR Abuse Level 3)  |

### DIMENSIONS



- |   |                                      |
|---|--------------------------------------|
| 1 | Fastening holes for protective cover |
| 2 | Fastening holes battery cable        |
| 3 | Ground connection                    |
| 4 | Connection for battery cable         |
| 5 | Mounting bracket                     |

required accessory: Accessory Kit MyReserve Pack