

SOLARWATT MyReserve 800

SOLARWATT Energy Systems

THE SOLAR BATTERY FUTURE IS HERE.

SOLARWATT MYRESERVE 800

MyReserve was developed for quick plug & play installation and its low weight means that qualified technicians can easily carry out installation without a second person.

- Dimensions (HxWxD): 98.4 x 73.4 x 31 cm
- Weight: 78 kg (max. 25 kg per component)
- Storable energy: 4.4 kWh, expandable up to 8.8 kWh with Extension or as a cluster
- Depth of discharge (DoD): 100 %
- Overall degree of efficiency (round-trip) at best point: 96 %
- Assembly: space-saving wall mounted
- Safety: certified according to the new Safety Guidelines for li-ion household batteries and UN38.3 Battery module transport test
- Fast step response <1 s (time to supply a load demand)

Product Quality

- Best Price
- Tested safety
- Modular expandable
- Easy Installation
- Problem-free Retrofitting
- Excellent overall efficiency

SOLARWATT Service



SOLARWATT FullCoverage
included*



Competent Consulting
Experts via Hotline or on location



Warranty
min. 80 % Capacity**



Country of origin
Quality made in Germany



Simple returns policy
as per electrical and electronic equipment legislation



Energy Manager ready
perfect system integration

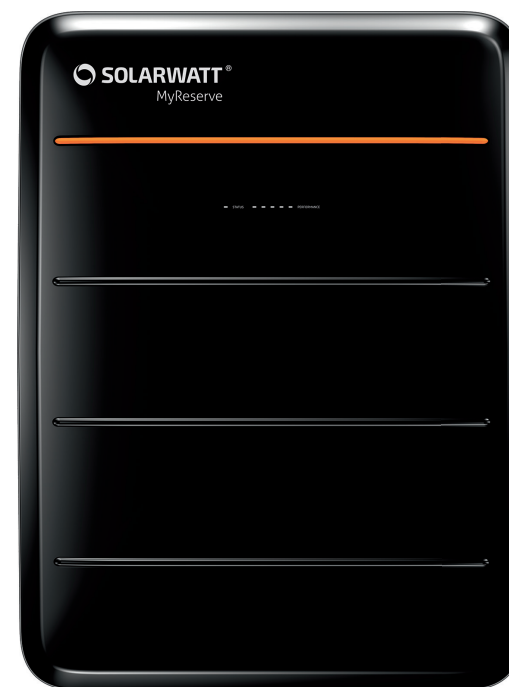
Tested by the accredited testing laboratory:



Scope of Delivery:

- 1x SOLARWATT MyReserve 800
- MyReserve Extension housing*
- SOLARWATT MR Pack 2.2*
- 1x Wallmount per housing

*number acc. to expansion level



* as far as there is an Inverter used, that is acc. to „SOLARWATT MyReserve - Approved Inverters“
** Performance warranty min. 80% capacity of the battery modules MR Pack 2.2 or MyReserve Pack 22.2

Technical Data | SOLARWATT MyReserve 800

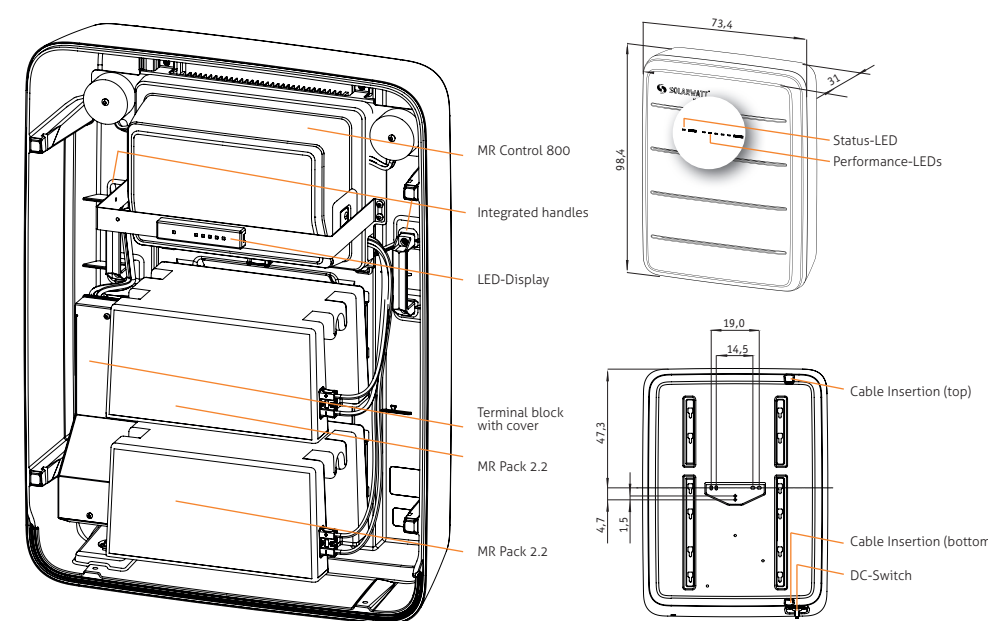
GENERAL SPECIFICATIONS			
	MyReserve 800	MyReserve 800(4,4kWh) + MyReserve Extension(2,2kWh)	MyReserve 800(4,4kWh) + MyReserve Extension(4,4kWh)
Number of system housings	1	2	2
Number of battery modules	2	3	4
Connection of battery modules	serial		
Battery module	SOLARWATT MR Pack 2.2		
Storable energy ¹⁾	4,4 kWh	6,6 kWh	8,8 kWh
Coupling of the battery system	in the DC string of the PV system		
Grid connection	Suitable for grid parallel operation with 1 or 3-phase PV inverter		
Max. overall efficiency (round trip - charging/discharging)	92 %	92 %	93 %
Efficiency with direct internal consumption (without battery operation)	99,8 %		
Max. permissible PV open circuit voltage (for dimensioning) U _{oc} @ -15°C	810 V		
Max. permissible PV input voltage	800 V		
Min. permissible PV input voltage	220 V	220 V	270 V
Max. permissible PV input current	12 A		
Number of PV inputs/outputs on MyReserve	1		
Allowed cable cross section terminal strip	0,5 - 10 mm ²		
Max. charge and discharge output in cont. operation	1,5 kW		
Maximum charge and discharge output	2,0 kW	2,0 kW	2,5 kW
Power electronics supply voltage	230 V (AC)		
Internal consumption in sleep mode	1 W		
Internal consumption in standby mode	5 W		
Internal consumption in operating mode	5 W - 15 W		
Step response (time to supply a load demand)	< 1 s		
Dead time (time to stop discharging)	0,1 s		
Base system total weight / Extension	78 kg	78 kg/40 kg	78 kg/65 kg
Dimensions (W x H x D)	73,4 x 98,4 x 31	2x 73,4 x 98,4 x 31	
Installation	Wall mount		
Shut-off device	Two redundant automatically switching HV relays, DC disconnect		
Communication	LED status display, optional SOLARWATT EnergyPortal		
Complete coverage insurance ²⁾	5 years		
Warranty battery system ³⁾	5 years		
Warranty battery module ³⁾	10 years min. 80 % capacity		

SUPPORTED DEVICES	
PV inverter	all standard string inverters in accordance with the technical design parameters of SOLARWATT MyReserve
Battery	MR Pack 2.2, MyReserve Pack 22.2
Current sensor	SOLARWATT AC-Sensor 50, AC-Sensor 63
Energy management systems	SOLARWATT EnergyManager
DC current source	Crystalline/amorphous Si - photovoltaic modules

ENVIRONMENTAL AND AMBIENT CONDITIONS	
Environmental temperature range (operation)	optimum: 0°C to 30°C (max. 45°C) ⁴⁾
Relative air humidity	≤ 85% non condensing
Protection rating	IP 31
Protection class	I
Installation location	Up to 2000m above sea level

CERTIFICATIONS AND STANDARDS	
Tested by accredited laboratories according to	Safety Guidelines for Li-ion household battery system Version 1.0 E DIN EN 62619:2014 (VDE 0510-39) UN38.3 DIN EN 50272-1:2011 (VDE 0510-1) E DIN EN 61427-2:2014 (VDE 0510-41) DIN EN 62109-1:2011 (VDE 0126-14-1) DIN EN 61010-1:2011 (VDE 0411-1) DIN EN 61000-6-1:2007 (VDE 0839-6-1) DIN EN 61000-6-3:2011 (VDE 0839-6-3)
Conformity with	EU-Directives (CE): 2014/35/EU (low-voltage), 2014/30/EU (EMC), 2011/65/EU (RoHS, only AC-Sensor 50, AC-Sensor 63) KIT short checklist for Li-ion household battery systems (150 points) VDE AR 2510-2 (in connection with VDE-AR-N 4105-conform PV-Inverters) CEI 0-21 (in connection with CEI 0-21 conform PV-Inverters)

DIMENSIONS AND STRUCTURE (FRONT VIEW, REAR VIEW INCL. WALL MOUNT)



1) at BOL (Beginning of Life at room temperature)
 2) SOLARWATT FullCoverage Insurance included for the first 5 years, optional extension available
 3) The corresponding warranty conditions apply.
 4) MyReserve does not operate at temperatures below -15°C or above +45°C. Unrestricted performance is provided for the household in the temperature range of 0°C to 30°C. Accelerated aging of the cells should be taken into account at temperatures above +45°C.